

CRESCENDO 12MB

PROFESSIONAL SERIES



ELECTRO ACOUSTIC SPECIFICATIONS

Nominal Chassis Diameter	12"
Impedance	8 Ω
Power Handling	300 (A.E.S.)
Usable Frequency Range -6dB	45 Hz - 3.5 kHz
Sensitivity 1 w - 1 m	97.5dB
Moving Mass inc. Air Load	55 grams
Minimum Impedance Zmin	7 Ω
Effective Piston Diameter	10.03" / 255 mm
Peak Displacement Volume of Cone Vd	0.44 litres
Magnet Weight	78 oz
Magnetic Gap Depth	0.31" / 8 mm
Flux Density	1.28 Tesla
Coil Winding Height	0.65" / 16.6 mm
Voice Coil Length	63 ft / 19.2 m
Voice Coil Diameter	2.5" / 63.7 mm

THIELE SMALL PARAMETERS

FS Hz	50 Hz
RE Ohms	5.6 Ω
Qms	4.8
Qes	0.314
Qts	0.295
Vas Ltr	67
Vd Litres	0.44
CMS (mm/N)	0.184
BL T/m	17.6
Mms (grms)	55
Xmax mm	4.3
Sd cm ²	0.051 m ²
Efficiency %	2.58

MOUNTING / SHIPPING INFORMATION

Overall Diameter	13" / 330.2 mm
Width Across Flats	12.19" / 309.5 mm
Flange Height	0.305" / 7.8 mm
Baffle Hole Diameter F/M	11.03" / 281 mm
Baffle Hole Diameter R/M	10.13" / 257 mm
Gasket Supplied	Rear
Fixing Holes	4 x 0.218" diam on 12.5 PCD 4 x 5.5 mm diam on 318 PCD
Depth	5.33" / 135.5 mm
Weight	14.8 lb / 6.7 kg
Recommended Enclosure	0.88-2.83 cu ft / 25-80 litres
Volume	0.095 cu ft / 2.7 litres
Volume Displaced by Driver	17.0 lb / 7.7 kg
Shipping Weight	17.0 lb / 7.7 kg
Packing Carton Dimensions	340 x 340 x 222 mm

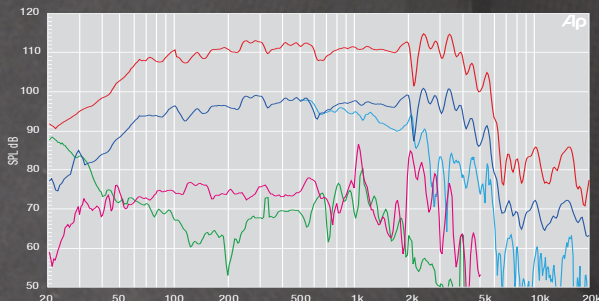
MATERIALS OF CONSTRUCTION

Former Material	Fibreglass
Voice Coil	Copper
Magnet Material	Ferrite
Chassis	Die-cast Aluminium
Cone	Curvilinear Polycellulose
Surround / Edge Termination	Polyvinyl Damped Half Roll Linen
Dust Dome	Solid Paper
Connectors	Push-button Spring Terminals
Polarity	Positive Voltage at Red Terminal Causes Forward Motion of Cone

APPLICATION NOTES:

The Crescendo mid bass drivers are intended for use in two-way ported enclosures, such as the classic bass driver plus horn tweeter or compression driver format. All feature die cast chassis with long throw motor systems and high linearity suspensions allowing solid bass reproduction at high-power levels. The drivers exhibit smooth frequency responses to give a balanced tonal characteristic when properly matched to appropriate high-frequency drivers. The 12MB is designed for use in 25 to 80 litre ported enclosures and features a 2.5-inch voice coil, 300 Watt power handling and 97.5 dB sensitivity.

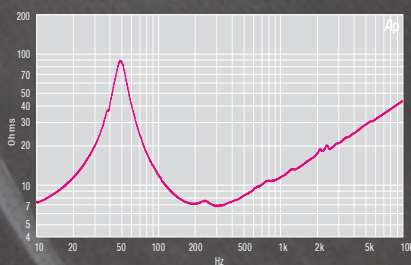
FREQUENCY RESPONSE DATA:



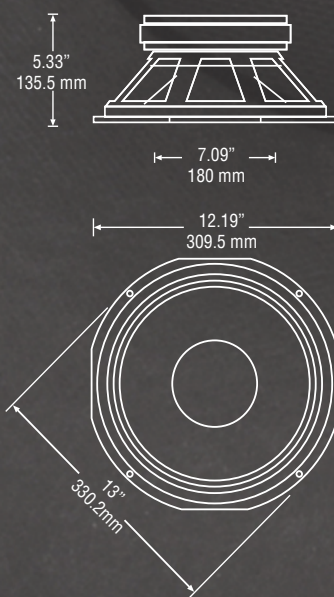
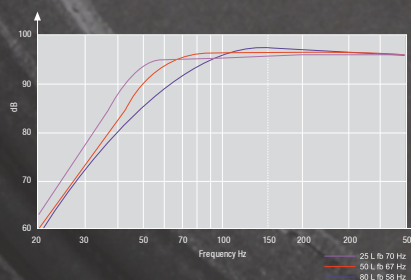
Data measured using swept sine wave input on an open baffle of dimensions 2.5 x 3.7 metres with a microphone distance of 1 metre.

- Fundamental 10 % Power
- Fundamental on-axis 1 W
- Fundamental 45° off-axis 1 W
- 2nd Harmonic 10 % Power
- 3rd Harmonic 10 % Power

IMPEDANCE:



COMPUTER PREDICTED BASS RESPONSE:



- Please inquire about alternative impedances.
- A.E.S. power handling test. Pink noise bandpass filtered at 12 dB per octave with cutoff frequencies of 30 Hz and 300 Hz. Driver mounted in free air, test signal applied at rated power for two hours.

FANE