

ITEM NO.	PART NUMBER	DESCRIPTION	QTY.
1	Bottom	18mm Berch Plywood	1
2	Side L	18mm Berch Plywood	1
3	Back	18mm Berch Plywood	1
4	Brace	18mm Berch Plywood	2
5	Front	25mm Berch Plywood	1
6	Brace 1	18mm Berch Plywood	4
7	Brace 2	18mm Berch Plywood	1
8	Brace 3	18mm Berch Plywood	4
9	Brace 4	18mm Berch Plywood	1
10	Vent	d=100mm PVC Tube	2
11	8G40		1
12	Top	18mm Berch Plywood	1
13	Side R	18mm Berch Plywood	1
14	Grill	S=1.5mm Steel	1

UNLESS OTHERWISE SPECIFIED
 DIMENSIONS ARE IN MILLIMETERS
 SURFACE FINISH:
 TOLERANCES:
 LINEAR:
 ANGULAR:

FINISH:

DEBUR AND
 BREAK SHARP
 EDGES

DO NOT SCALE DRAWING

REVISION

NAME	SIGNATURE	DATE	TITLE:
DRAWN			
CHK'D			
APPV'D			
MFG			
Q.A			

MATERIAL:

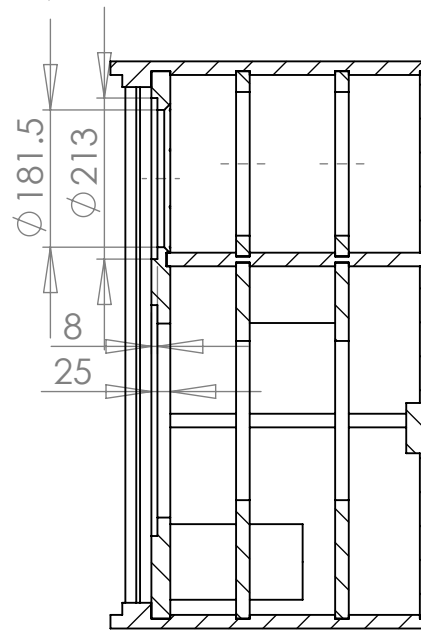
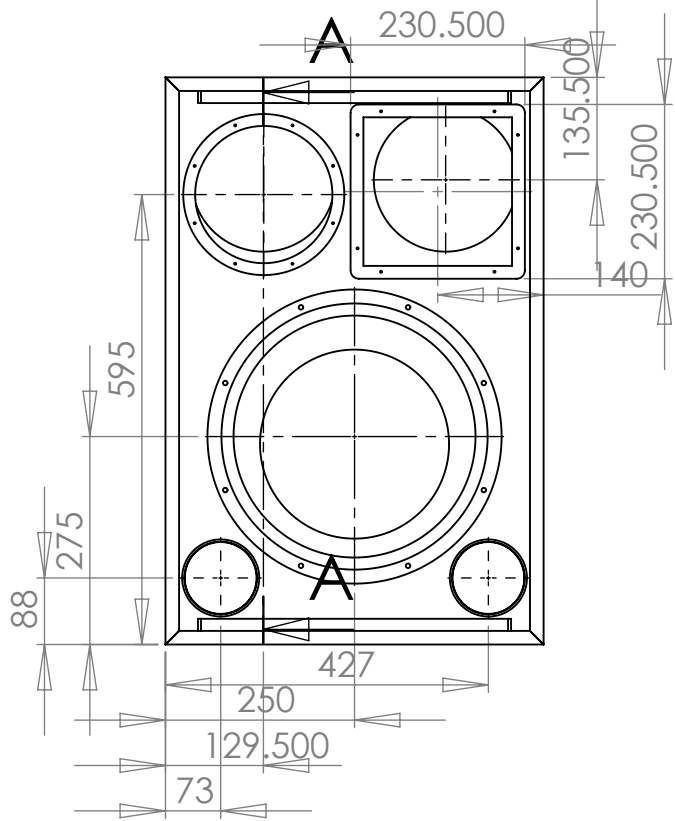
DWG NO. **Assem1** A4

WEIGHT:

SCALE:1:20 SHEET 1 OF 3



UNLESS OTHERWISE SPECIFIED: DIMENSIONS ARE IN MILLIMETERS SURFACE FINISH: TOLERANCES: LINEAR: ANGULAR:				FINISH:		DEBUR AND BREAK SHARP EDGES		DO NOT SCALE DRAWING		REVISION	
								TITLE:			
DRAWN				NAME		SIGNATURE		DATE			
CHK'D											
APPV'D											
MFG											
Q.A								MATERIAL:		DWG NO.	
										Assem1	
								WEIGHT:		SCALE:1:20	
										SHEET 2 OF 3	
										A4	



SECTION A-A
SCALE 1 : 10

UNLESS OTHERWISE SPECIFIED: DIMENSIONS ARE IN MILLIMETERS SURFACE FINISH: TOLERANCES: LINEAR: ANGULAR:			FINISH:		DEBUR AND BREAK SHARP EDGES		DO NOT SCALE DRAWING		REVISION	
									TITLE:	
DRAWN			NAME		SIGNATURE		DATE			
CHK'D										
APPV'D										
MFG										
Q.A							MATERIAL:		DWG NO.	
									Assem1	
									A4	
							WEIGHT:		SCALE:1:20	
									SHEET 3 OF 3	